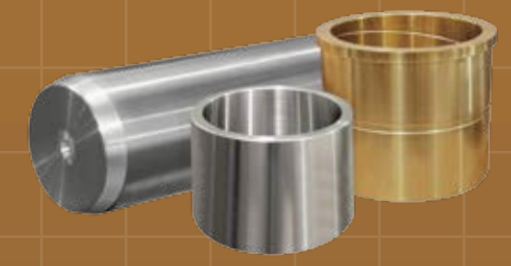


Excel Premium Components

Terex®/O&K® Hydraulic Excavators

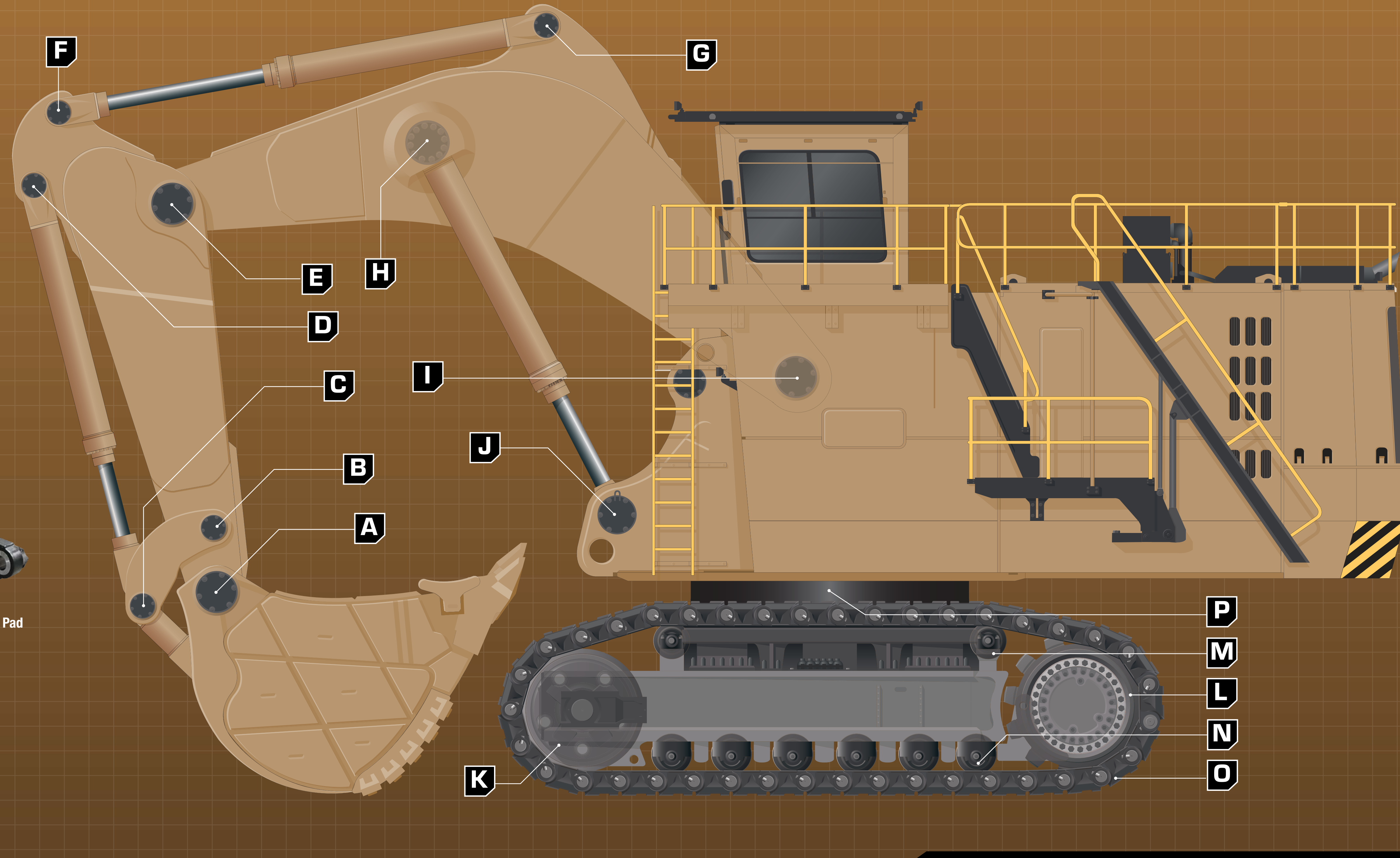
RH120E™ • RH170™ • RH200™ • RH340™
6030™ • 6040™ • 6050™ • 6060™

EXCELLENCE
SINCE 1929



Pins & Bushings

- | | |
|-----------------------------------|---------------------------------|
| A Bucket & Stick | F Stick Cylinder & Stick |
| B Link & Stick | G Stick Cylinder & Boom |
| C Link & Backhoe Cylinder | H Boom Cylinder & Boom |
| D Backhoe Cylinder & Stick | I Boom & Frame |
| E Boom & Stick | J Boom Cylinder & Frame |



Front Idler



Drive Sprocket



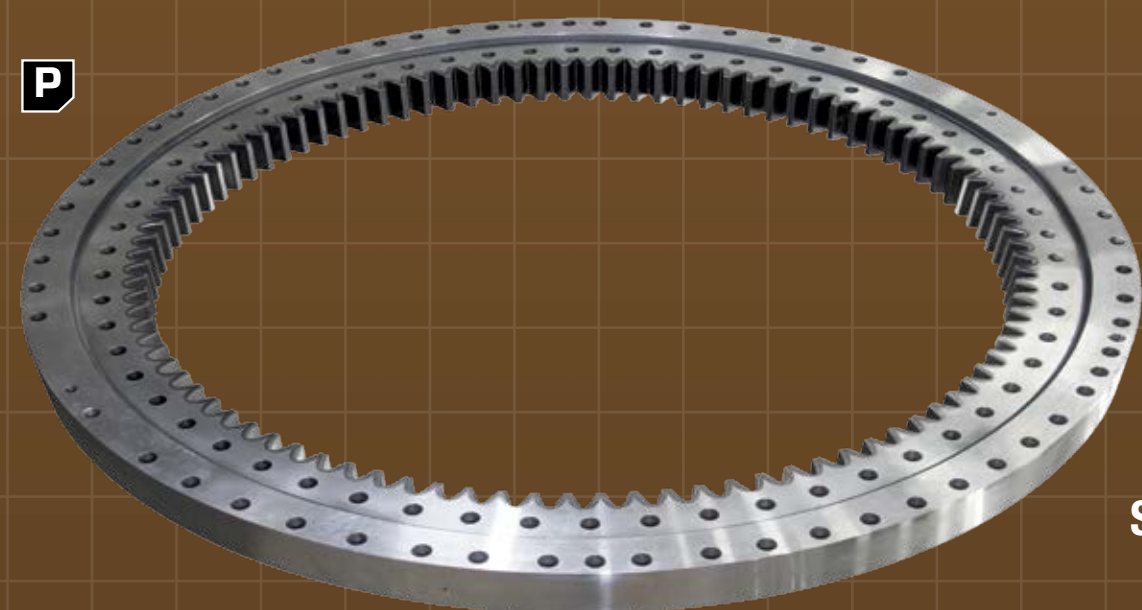
Upper Roller



Lower Roller



Track Pad



Swing Bearing

+1.309.347.6155 • Toll Free 800.523.9129

sales@ExcelFoundry.com



ExcelFoundry.com

Terex® and O&K® are marks of Terex Corporation. Excel Foundry & Machine is not an authorized repair facility of nor does it have an affiliation with Terex. These terms are used for identification purposes only and are not intended to indicate affiliation with or approval by Terex of Excel. All parts are manufactured by, for and warranted by Excel Foundry & Machine and are not manufactured by, purchased from or warranted by the original equipment manufacturer.

© Copyright 2015 FLSmith A/S. All rights reserved.



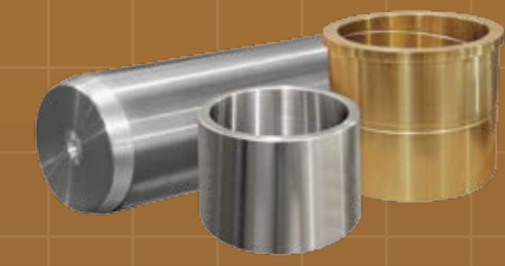
Manufactured Solutions > Delivered

Excel Premium Components

Terex®/O&K® Hydraulic Excavators

RH120E™ • RH170™ • RH200™ • RH340™
6030™ • 6040™ • 6050™ • 6060™

EXCELLENCE
SINCE 1929



Pins & Bushings

- A** Rear Wall & Dump Cylinder
- B** Rear Wall & Bucket Cylinder
- C** Rear Wall & Front Shovel
- D** Stick & Rear Wall
- E** Frame & Boom Cylinder
- F** Frame & Guide Bar
- G** Stick Cylinder & Boom
- H** Stick & Stick Cylinder
- I** Control Lever & Bucket Cylinder
- J** Boom & Stick
- K** Control Lever & Boom
- L** Control Lever & Guide Bar
- M** Control Lever & Boom Cylinder
- N** Boom & Frame
- O** Dump Cylinder & Front Shell



Front Idler



Drive Sprocket



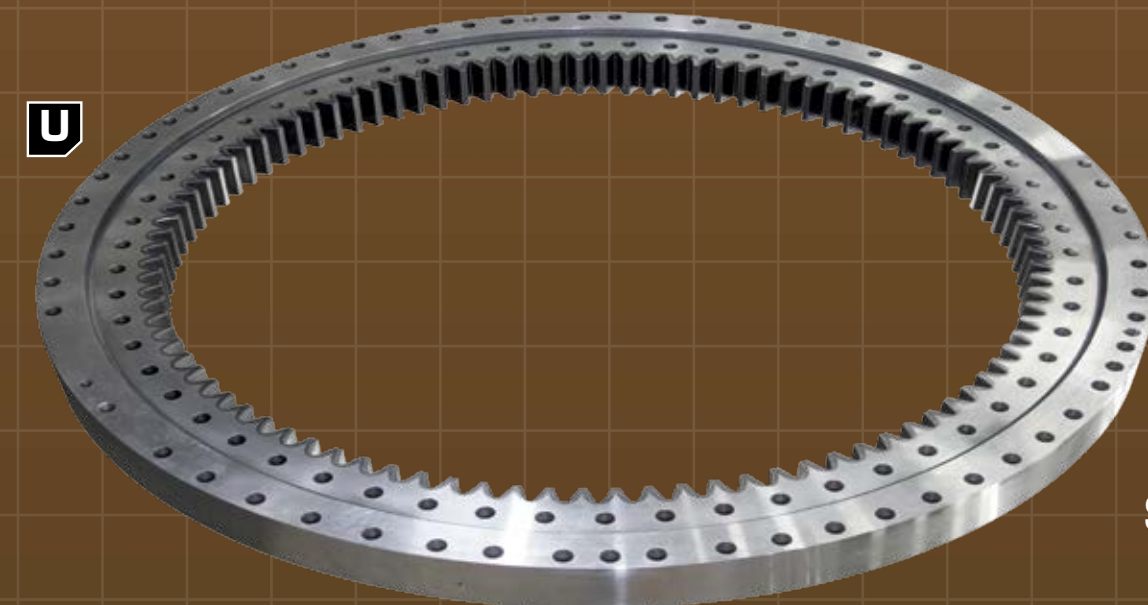
Upper Roller



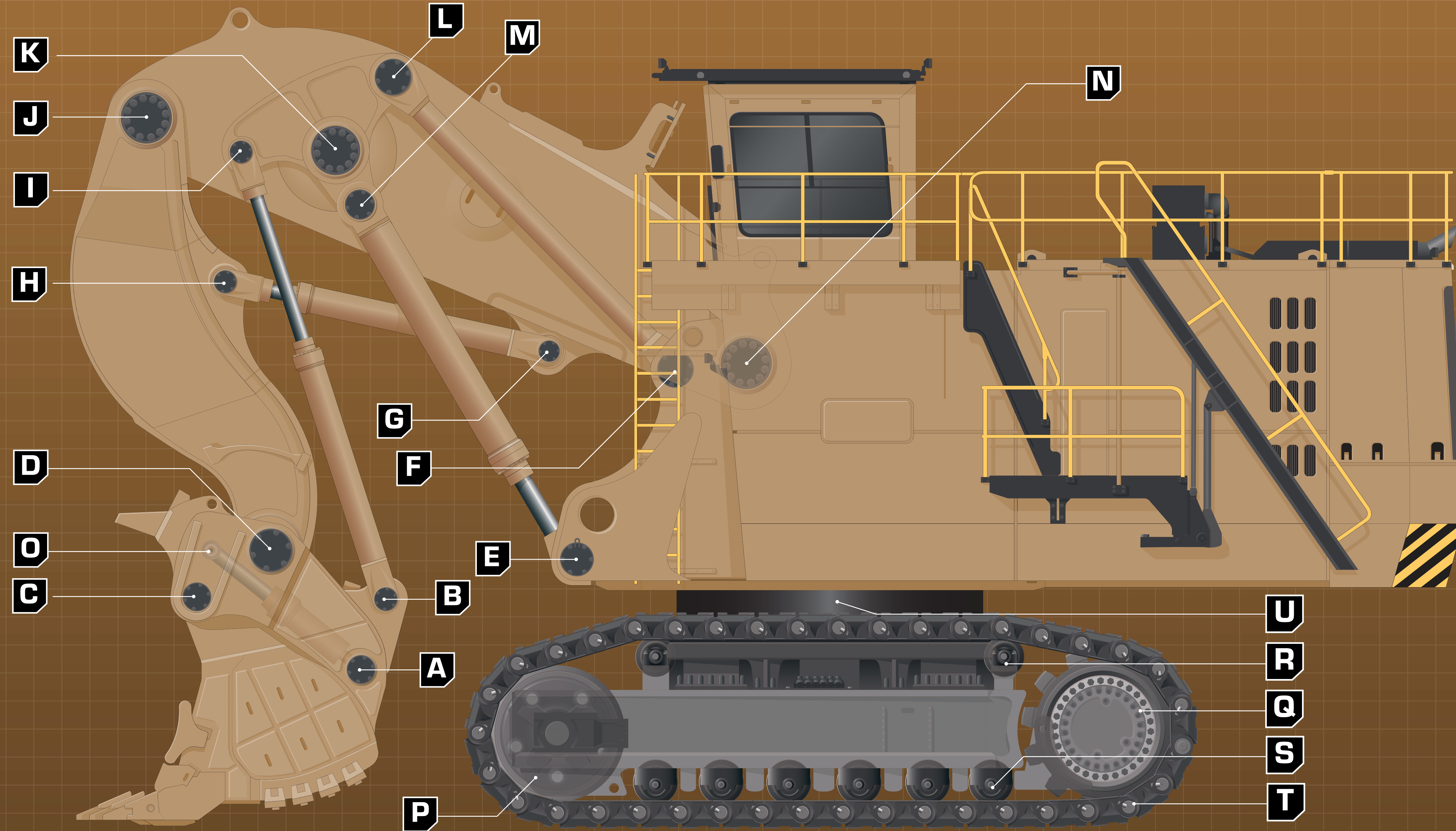
Lower Roller



Track Pad



Swing Bearing



+1.309.347.6155 • Toll Free 800.523.9129

sales@ExcelFoundry.com



ExcelFoundry.com

Terex® and O&K® are marks of Terex Corporation. Excel Foundry & Machine is not an authorized repair facility of nor does it have an affiliation with Terex. These terms are used for identification purposes only and are not intended to indicate affiliation with or approval by Terex of Excel. All parts are manufactured by, for and warranted by Excel Foundry & Machine and are not manufactured by, purchased from or warranted by the original equipment manufacturer.

© Copyright 2015 FLSmith A/S. All rights reserved.

EXCEL
FOUNDRY
& MACHINE

Manufactured Solutions > Delivered