

# Excel Premium Components

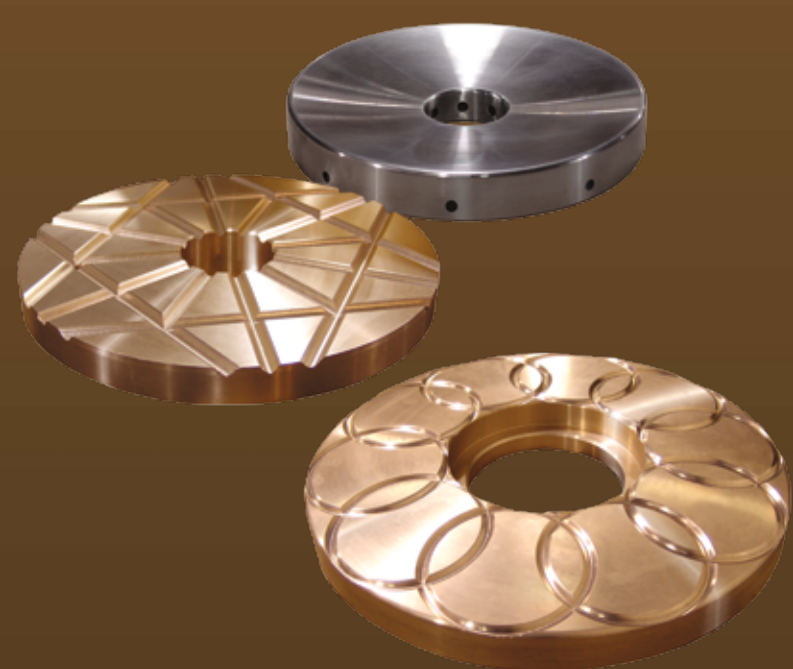
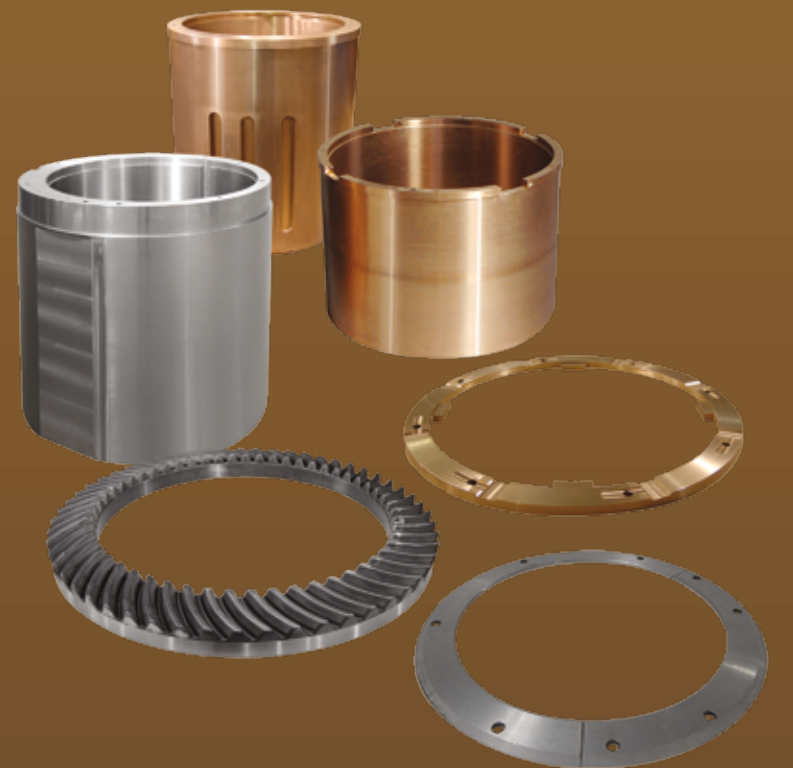
Sandvik® Hydrocone®

H2000™ • H2800™ • H3000™ • H3800™ • H4000™ • H4800™ • H6000™ • H6800™ • H7800™  
H8000™ • H8800™ • CH420™ • CH430™ • CH440™ • CH660™ • CH870™ • CH880™

Superior Style

S3000™ • S3800™ • S4000™ • S4800™ • S6000™ • S6800™  
CS420™ • CS430™ • CS440™ • CS660™

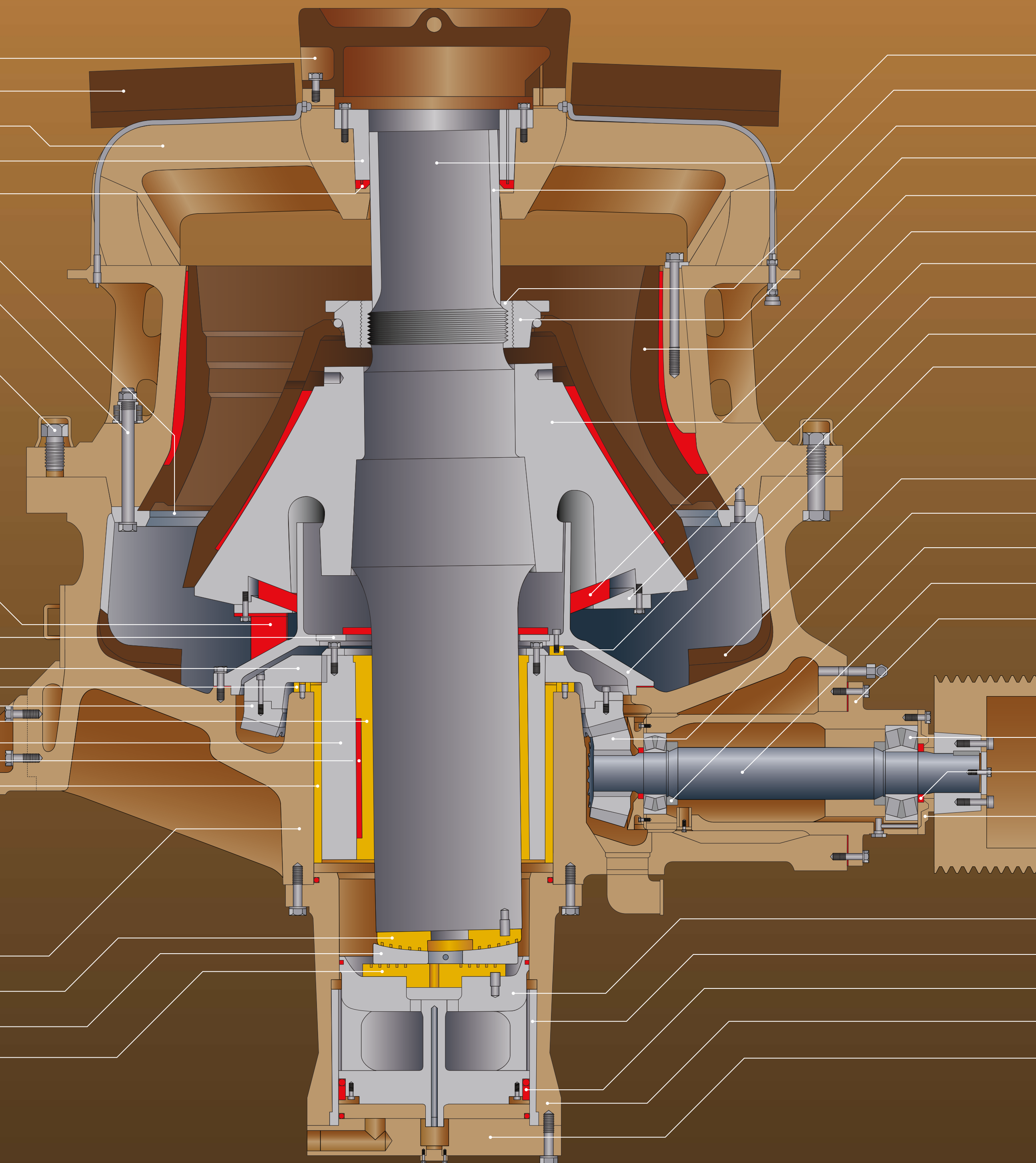
**EXCELLENCE**  
SINCE 1929



Spider Cap  
Arm Shield  
Top Shell  
Spider Bushing  
Oil Seal  
Concave Support Ring  
Concave Retaining Bolt & Washers  
Jacking Bolt

Scraper  
Retainer  
Hub  
Eccentric Wear Plate  
Gear  
Eccentric Bushing  
Eccentric  
Eccentric Key  
Bottom Shell Bushing

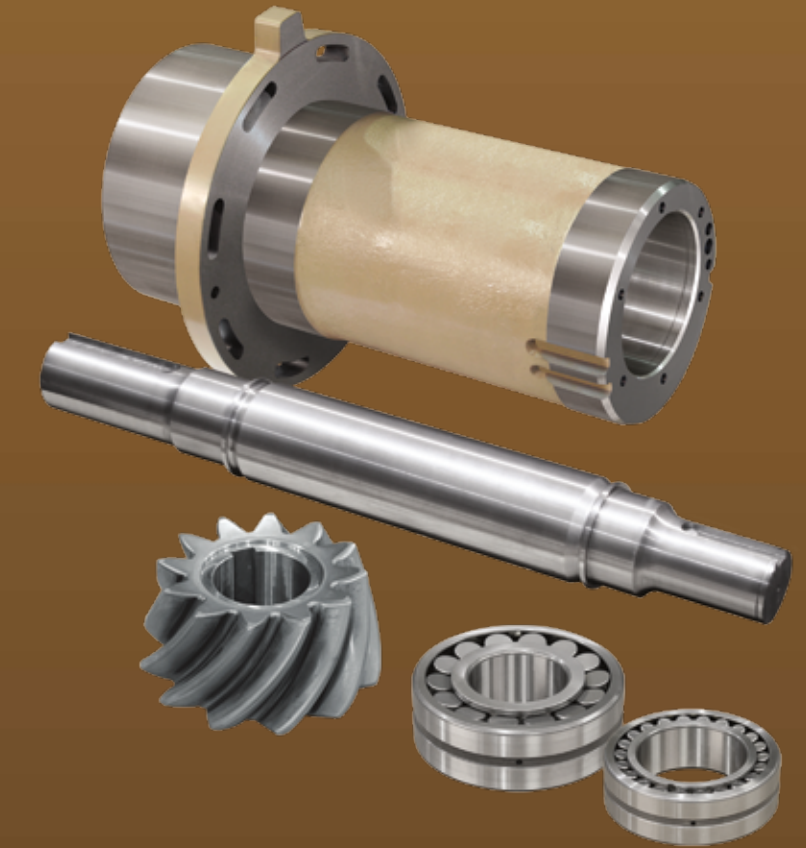
Bottom Shell  
Mainshaft Step Plate  
Step Washer  
Piston Wearing Plate



Mainshaft  
Mainshaft Sleeve  
Inner Headnut  
Headnut with Burning Ring  
Concave Ring  
Head Center  
Dust Seal Ring  
Dust Seal Retainer  
Locating Bar  
Dust Collar

Bottom Shell Arm Liner  
Pinion  
Pinion End Bearing  
Pinionshaft  
Pinionshaft Housing  
Sheave End Bearing  
Pinionshaft Oil Seal  
Seal Plate

Piston  
Hydroset™ Cylinder Bushing  
Chevron Packing  
Hydroset™ Cylinder  
Hydroset™ Cylinder Cover



+1.309.347.6155 • Toll Free 800.523.9129



sales@ExcelFoundry.com

**ExcelFoundry.com**

Sandvik®, Hydrocone®, and Hydroset® are trademarks of Sandvik Intellectual Property AB. Excel Foundry & Machine is not an authorized repair facility of nor does it have an affiliation with Sandvik. These terms are used for identification purposes only and are not intended to indicate affiliation with or approval by Sandvik of Excel. All parts are manufactured by, for and warranted by Excel Foundry & Machine and are not manufactured by, purchased from or warranted by the original equipment manufacturer.

© FLSmidth USA Inc. All Rights Reserved.



Manufactured Solutions > Delivered