

Excel Premium Components

Omnicone® Cone Crushers

937™ • 1144™ • 1352™ • 1560™

EXCELLENCE
SINCE 1929

Bowl Components

- Feed Hopper
- Bowl
- Dust Seal
- Bowl Hardware
- Clamping Ring
- Bowl Liner

Hydraulic Components

- Bowl Adjustment Ram
- Clamping Cylinder
- Tramp Release Cylinder

Head Components

- Mantle
- Head Ball
- Socket Liner
- Socket
- T-Seal
- Head
- Head Bushing

Eccentric Components

- Counterweight
- Eccentric Bushing
- Eccentric
- Thrust Bearing
- Gear

Feed Plate Components

- Adjustment Cap
- Adjustment Cap Seal
- Feed Plate
- Cover
- Locking Nut
- Torch Ring

Adjustment Ring Components

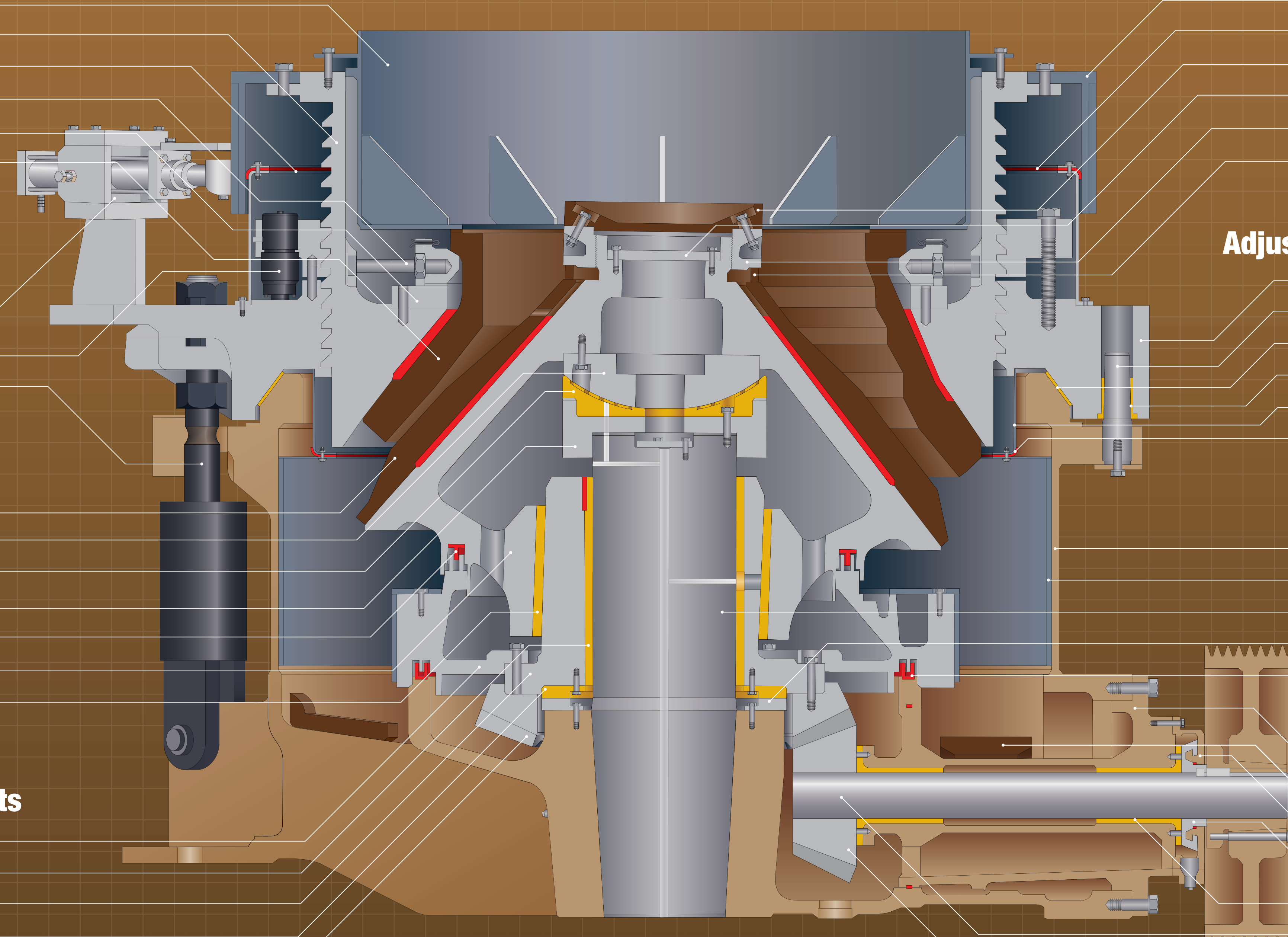
- Adjustment Ring
- Mainframe Pin
- Mainframe Seat Liner
- Adjustment Ring Bushing
- Dust Collar
- Dust Collar Seal

Mainframe Components

- Mainframe
- Mainframe Liner
- Mainshaft
- Thrust Washer
- U-Seal

Countershaft Box

- Countershaft Box
- Countershaft Box Guard
- Flinger Housing
- Oil Flinger
- Countershaft Bushing
- Countershaft
- Pinion



+1.309.347.6155 • Toll Free 800.523.9129

sales@ExcelFoundry.com



ExcelFoundry.com

Omnicone® is a mark of Metso Minerals Industries, Inc. or its affiliates. Excel Foundry & Machine is not an authorized repair facility nor does it have an affiliation with Metso. These terms are used for identification purposes only and are not intended to indicate affiliation with or approval by Metso of Excel. All parts are manufactured by, for and warranted by Excel Foundry & Machine and are not manufactured by, purchased from or warranted by the original equipment manufacturer.

© Copyright 2015 FLSmidth A/S. All rights reserved.

EXCEL
FOUNDRY
& MACHINE

Manufactured Solutions > Delivered