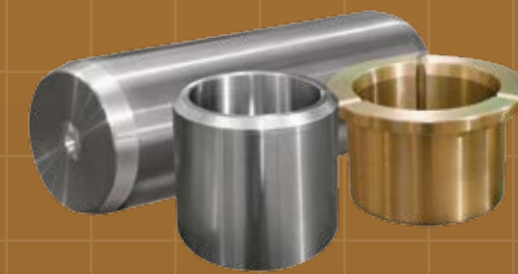


# Excel Premium Components

## Komatsu®/Demag® Hydraulic Excavators

PC3000™ • PC4000™ • PC5500™ • PC8000™

**EXCELLENCE**  
SINCE 1929



### Pins & Bushings

- |                                  |                                 |
|----------------------------------|---------------------------------|
| <b>A</b> Bucket & Link           | <b>G</b> Frame & Boom Cylinder  |
| <b>B</b> Bucket & Stick          | <b>H</b> Stick Cylinder & Stick |
| <b>C</b> Link & Stick            | <b>I</b> Stick Cylinder & Boom  |
| <b>D</b> Link & Bucket Cylinder  | <b>J</b> Boom Cylinder & Boom   |
| <b>E</b> Bucket Cylinder & Stick | <b>K</b> Frame & Boom           |
| <b>F</b> Boom & Stick            |                                 |



Front Idler



Drive Sprocket



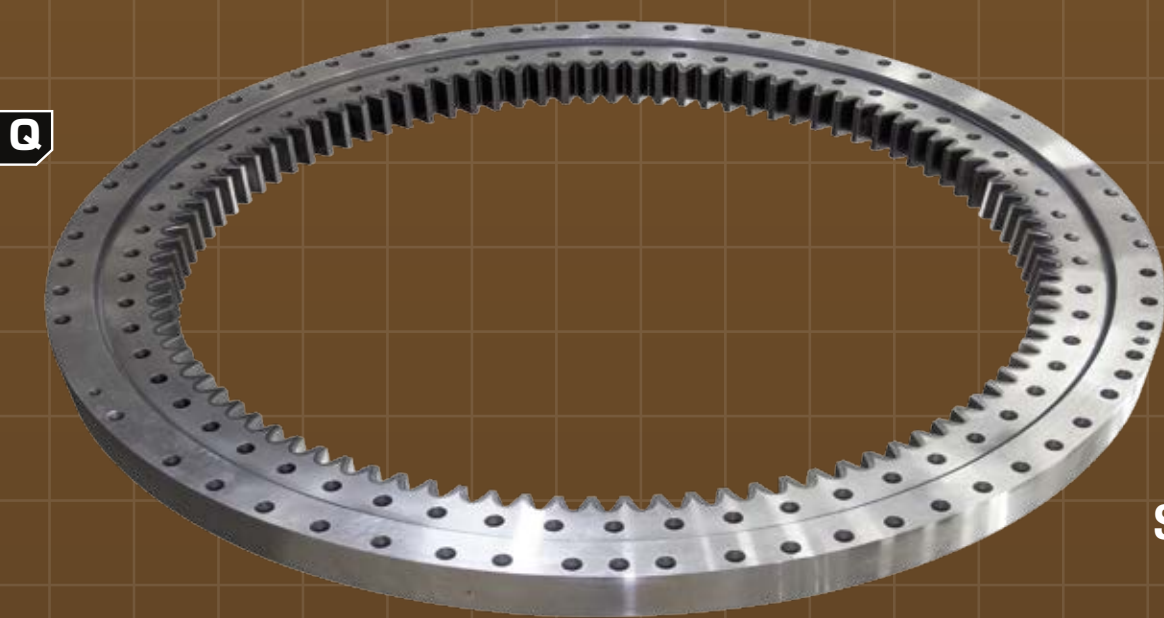
Upper Roller



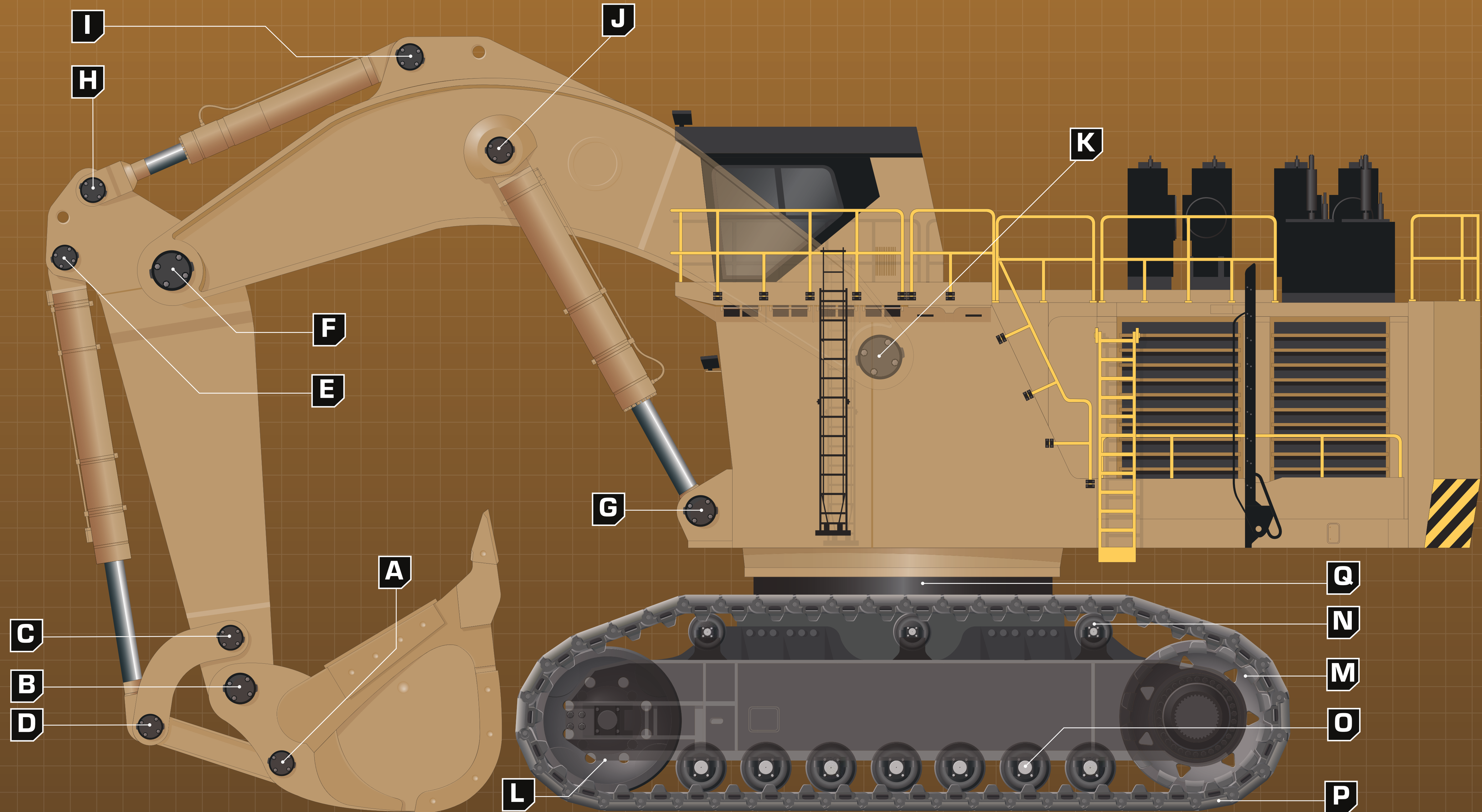
Lower Roller



Track Pad



Swing Bearing



+1.309.347.6155 • Toll Free 800.523.9129

sales@ExcelFoundry.com



**ExcelFoundry.com**

Komatsu® and Demag® are marks of Komatsu Ltd. Excel Foundry & Machine is not an authorized repair facility of nor does it have an affiliation with Komatsu. These terms are used for identification purposes only and are not intended to indicate affiliation with or approval by Komatsu of Excel. All parts are manufactured by, for and warranted by Excel Foundry & Machine and are not manufactured by, purchased from or warranted by the original equipment manufacturer.

© Copyright 2015 FLSmith A/S. All rights reserved.

**EXCEL**  
**FOUNDRY**  
& MACHINE

Manufactured Solutions > Delivered

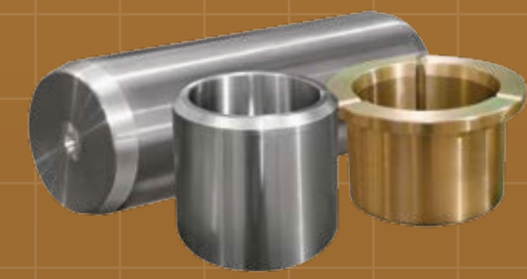


# Excel Premium Components

## Komatsu®/Demag® Hydraulic Excavators

PC3000™ • PC4000™ • PC5500™ • PC8000™

**EXCELLENCE  
SINCE 1929**



### Pins & Bushings

- A** Bucket Back Wall & Bucket Cylinder
- B** Bucket Back Wall & Stick
- C** Frame & Boom Cylinder
- D** Stick & Stick Cylinder
- E** Boom & Boom Cylinder
- F** Boom & Bucket Cylinder
- G** Boom & Stick
- H** Boom & Stick Cylinder
- I** Frame & Boom
- J** Bucket Opening Cylinder & Bottom Bucket
- K** Bucket Opening Cylinder & Bucket Back Wall
- L** Bottom Bucket & Bucket Back Wall



Front Idler



Drive Sprocket



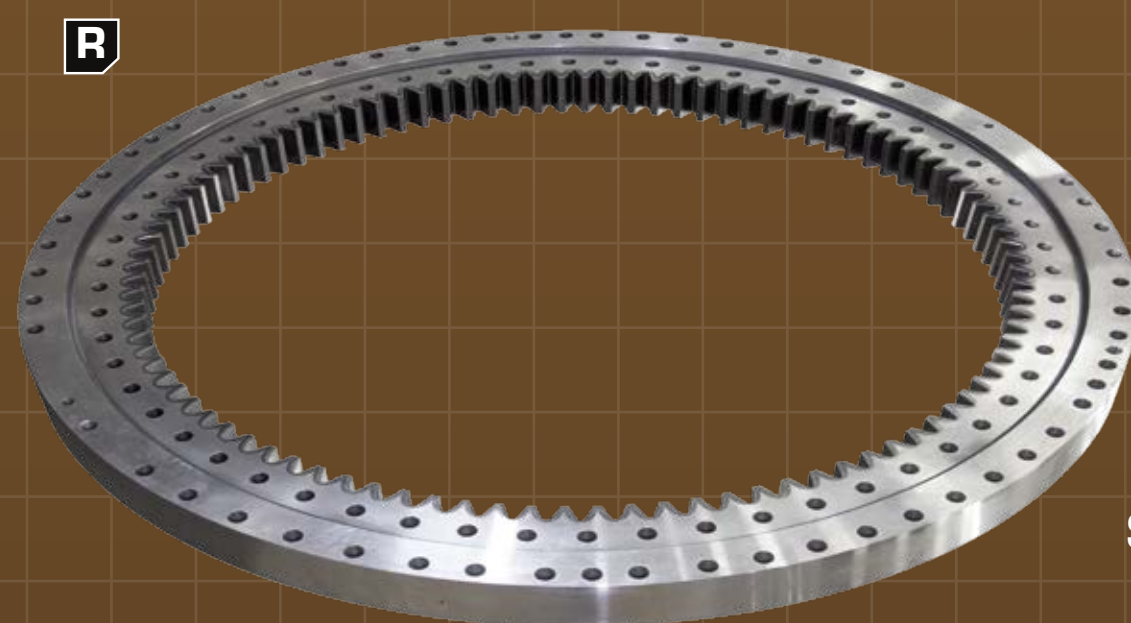
Upper Roller



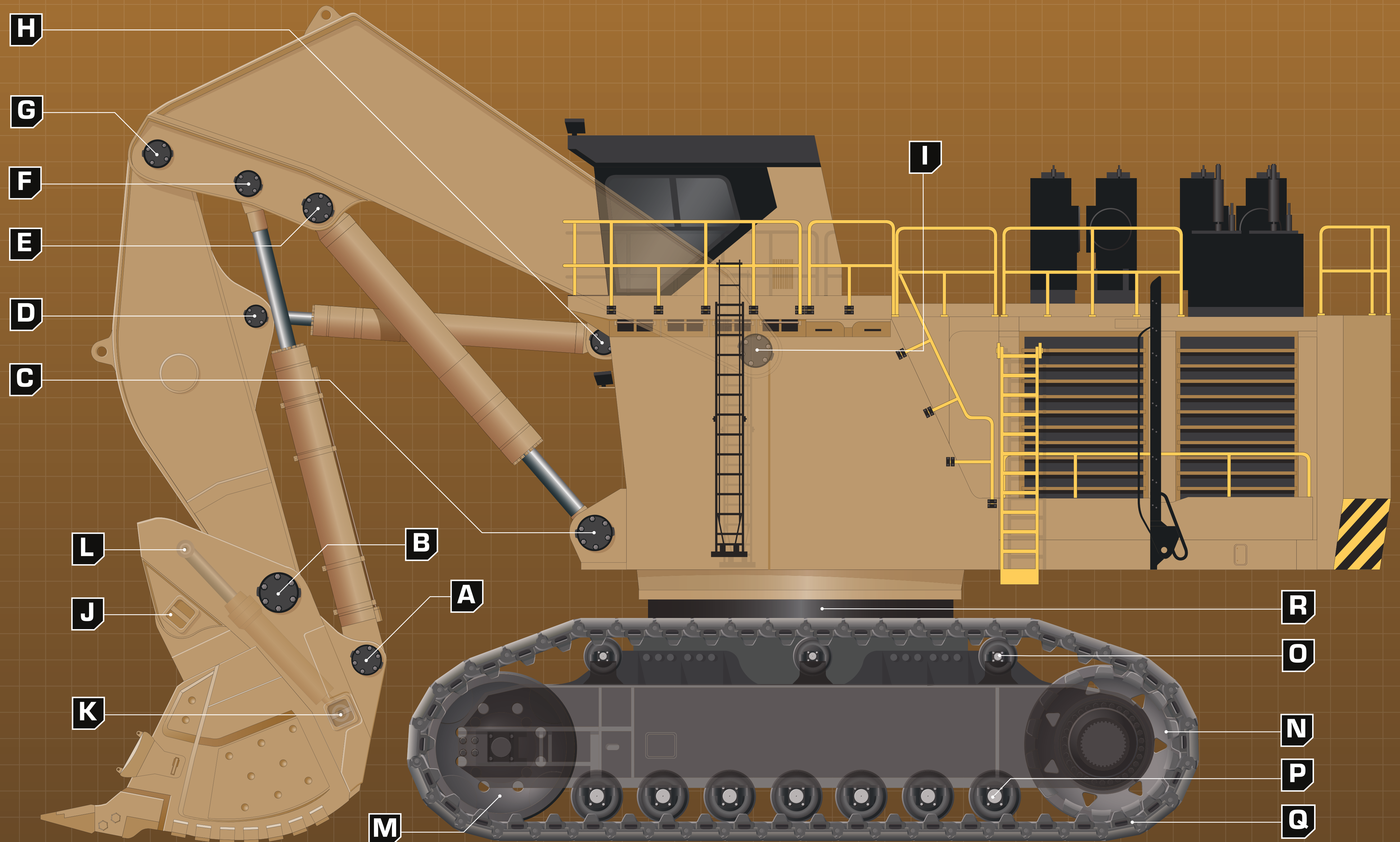
Lower Roller



Track Pad



Swing Bearing



+1.309.347.6155 • Toll Free 800.523.9129

sales@ExcelFoundry.com



**ExcelFoundry.com**

Komatsu® and Demag® are marks of Komatsu Ltd. Excel Foundry & Machine is not an authorized repair facility of nor does it have an affiliation with Komatsu. These terms are used for identification purposes only and are not intended to indicate affiliation with or approval by Komatsu of Excel. All parts are manufactured by, for and warranted by Excel Foundry & Machine and are not manufactured by, purchased from or warranted by the original equipment manufacturer.

© Copyright 2015 FLSmith A/S. All rights reserved.

**EXCEL  
FOUNDRY  
& MACHINE**

Manufactured Solutions > Delivered