

Excel Premium Components

Hitachi® Hydraulic Excavators

EX2500™ • EX3500™ • EX3600™ • EX5500™ • EX8000™

EXCELLENCE
SINCE 1929



Pins & Bushings

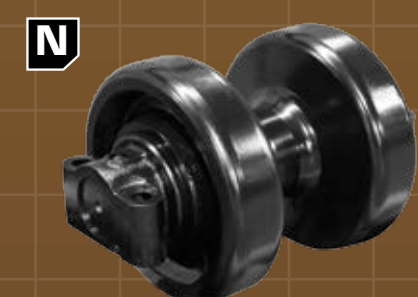
- A** Link & Bucket
- B** Arm & Bucket
- C** Arm & Link
- D** Link & Bucket Cylinder
- E** Frame & Boom Cylinder
- F** Arm & Bucket Cylinder
- G** Boom & Arm
- H** Arm & Arm Cylinder
- I** Boom & Boom Cylinder
- J** Boom & Arm Cylinder
- K** Mainframe & Boom



Front Idler



Drive Sprocket



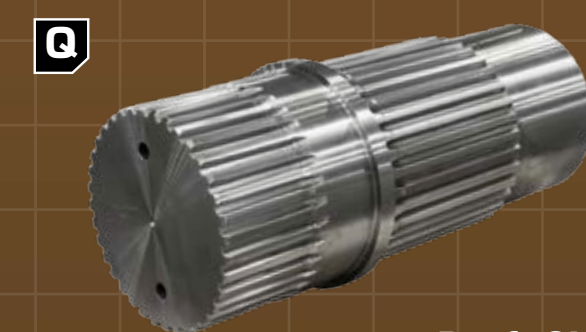
Upper Roller



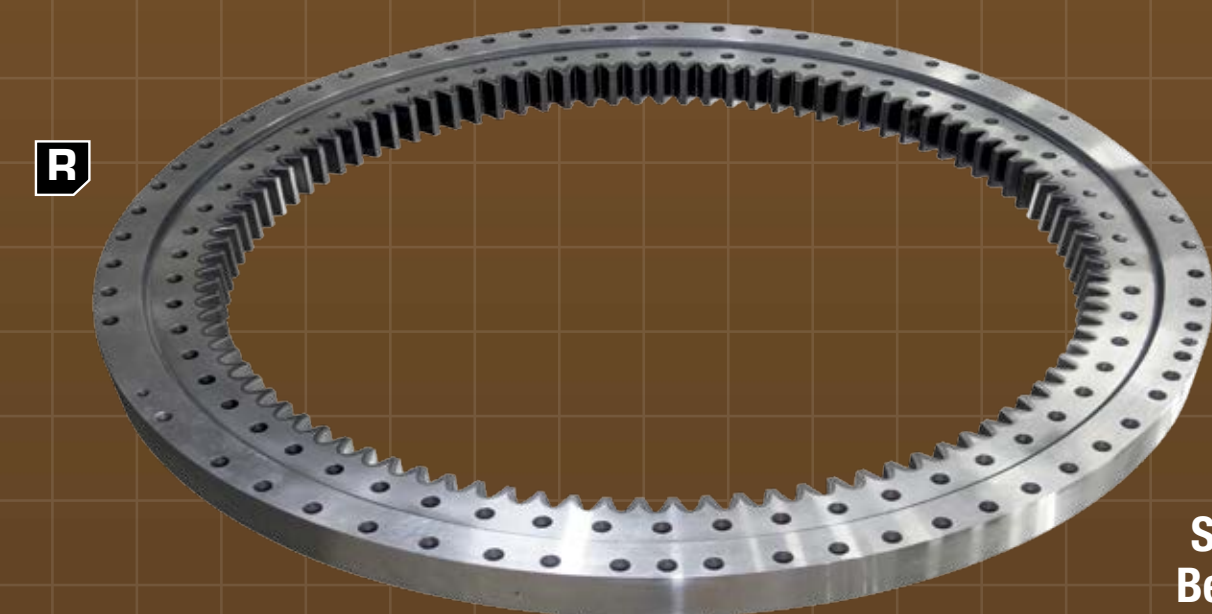
Lower Roller



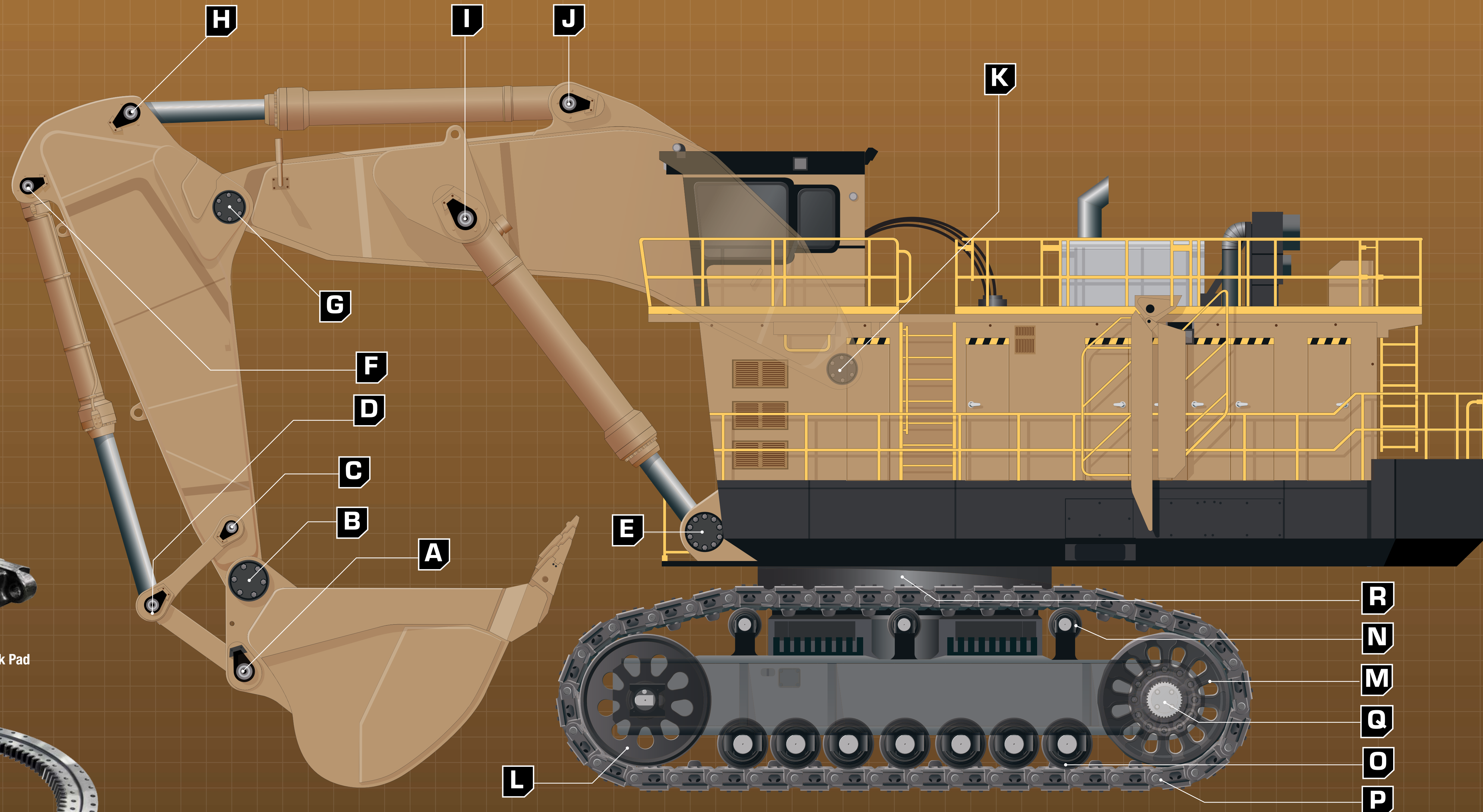
Track Pad



Draft Shaft



Swing Bearing



+1.309.347.6155 • Toll Free 800.523.9129

sales@ExcelFoundry.com



ExcelFoundry.com

Hitachi® is a mark of Hitachi Ltd. Excel Foundry & Machine is not an authorized repair facility nor does it have an affiliation with Hitachi. These terms are used for identification purposes only and are not intended to indicate affiliation with or approval by Hitachi of Excel. All parts are manufactured by, for and warranted by Excel Foundry & Machine and are not manufactured by, purchased from or warranted by the original equipment manufacturer.

© Copyright 2015 FLSmith A/S. All rights reserved.



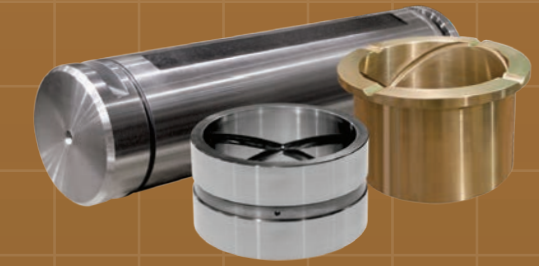
Manufactured Solutions > Delivered

Excel Premium Components

Hitachi® Hydraulic Excavators

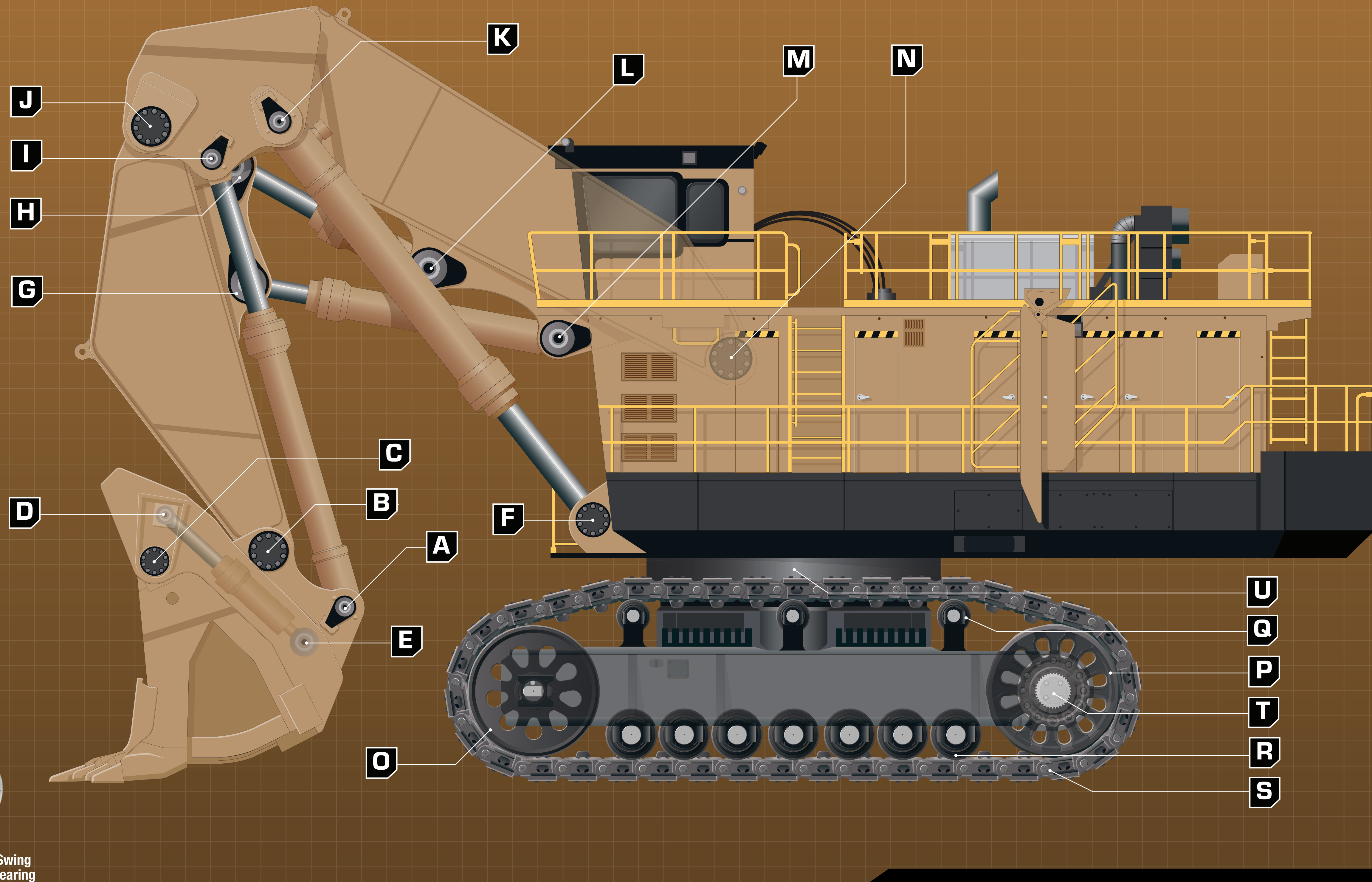
EX2500™ • EX3500™ • EX3600™ • EX5500™ • EX8000™

EXCELLENCE
SINCE 1929



Pins & Bushings

- A** Bucket & Bucket Cylinder
- B** Arm & Bucket
- C** Front & Rear Bucket
- D** Front Bucket & Dump Cylinder
- E** Rear Bucket & Dump Cylinder
- F** Mainframe & Boom Cylinder
- G** Arm & Arm Cylinder
- H** Arm & Level Cylinder
- I** Boom & Bucket Cylinder
- J** Boom & Arm
- K** Boom & Boom Cylinder
- L** Boom & Level Cylinder
- M** Boom & Arm Cylinder
- N** Mainframe & Boom



Front Idler



Drive Sprocket



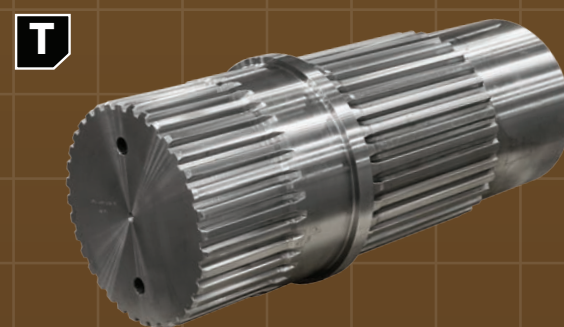
Upper Roller



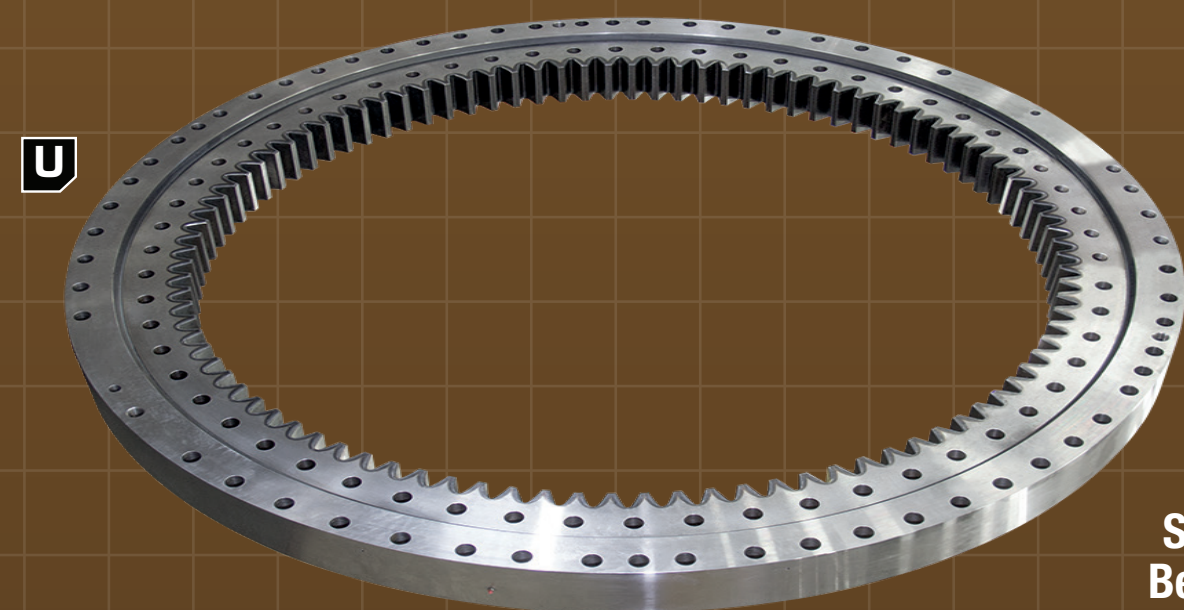
Lower Roller



Track Pad



Draft Shaft



Swing Bearing

- U**
- Q**
- P**
- T**
- R**
- S**

+1.309.347.6155 • Toll Free 800.523.9129

sales@ExcelFoundry.com



ExcelFoundry.com

Hitachi® is a mark of Hitachi Ltd. Excel Foundry & Machine is not an authorized repair facility of nor does it have an affiliation with Hitachi. These terms are used for identification purposes only and are not intended to indicate affiliation with or approval by Hitachi of Excel. All parts are manufactured by, for and warranted by Excel Foundry & Machine and are not manufactured by, purchased from or warranted by the original equipment manufacturer.

© Copyright 2015 FLSmith A/S. All rights reserved.



Manufactured Solutions > Delivered