

**EXCELLENCE
SINCE 1929**

Excel Premium Components

Terex® / O&K® Hydraulic Excavators

RH120E™ • RH170™ • RH200™ • RH340™



**EXCEL
FOUNDRY
& MACHINE**

Excel Premium Components

Terex® / O&K® Shovel

RH120E™ • RH170™ • RH200™ • RH340™

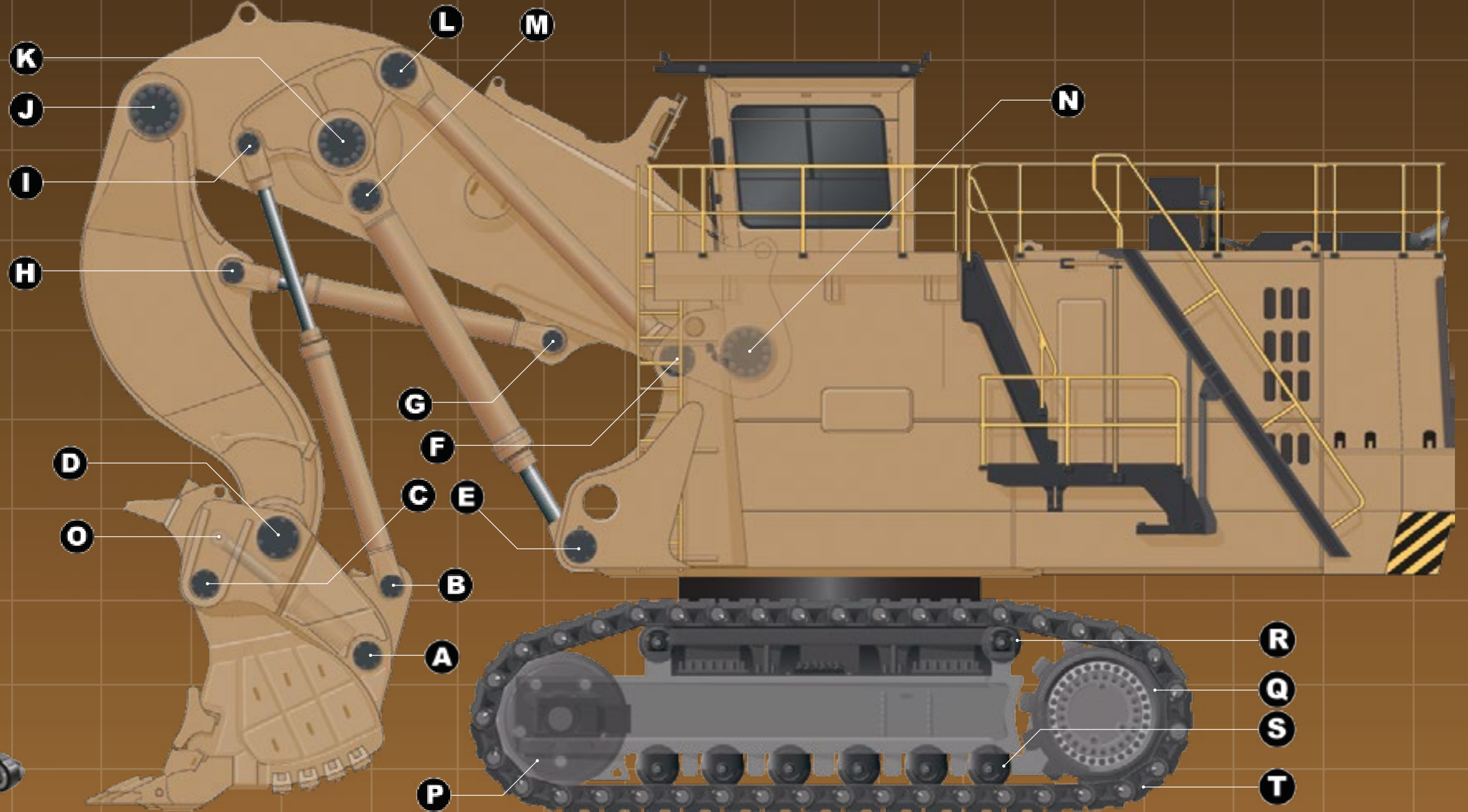
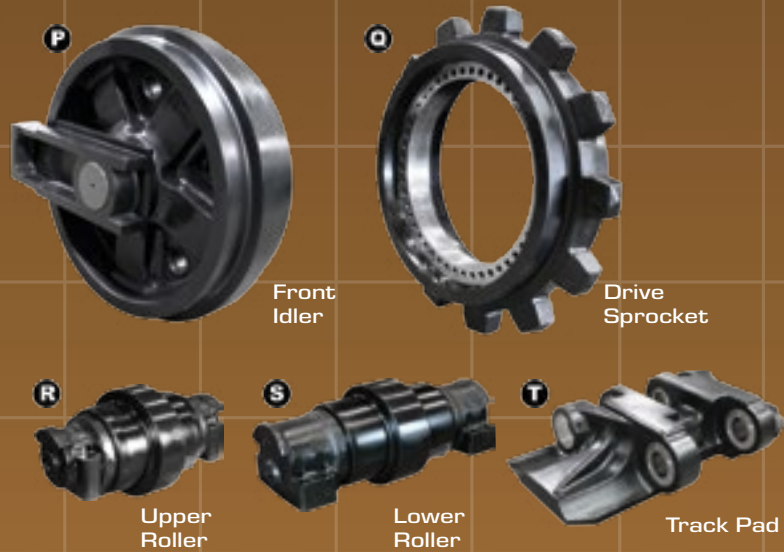


Manufactured Solutions > Delivered

Pins & Bushings

- A** Rear Wall & Dump Cylinder
- B** Rear Wall & Bucket Cylinder
- C** Rear Wall & Front Shovel
- D** Stick & Rear Wall
- E** Frame & Boom Cylinder
- F** Frame & Guide Bar
- G** Stick Cylinder & Boom
- H** Stick & Stick Cylinder
- I** Control Lever & Bucket Cylinder
- J** Boom & Stick
- K** Control Lever & Boom
- L** Control Lever & Guide Bar
- M** Control Lever & Boom Cylinder
- N** Boom & Frame
- O** Dump Cylinder & Front Shell

Undercarriage Components



Excel Premium Components

Terex® / O&K® Backhoe

RH120E™ • RH170™ • RH200™ • RH340™

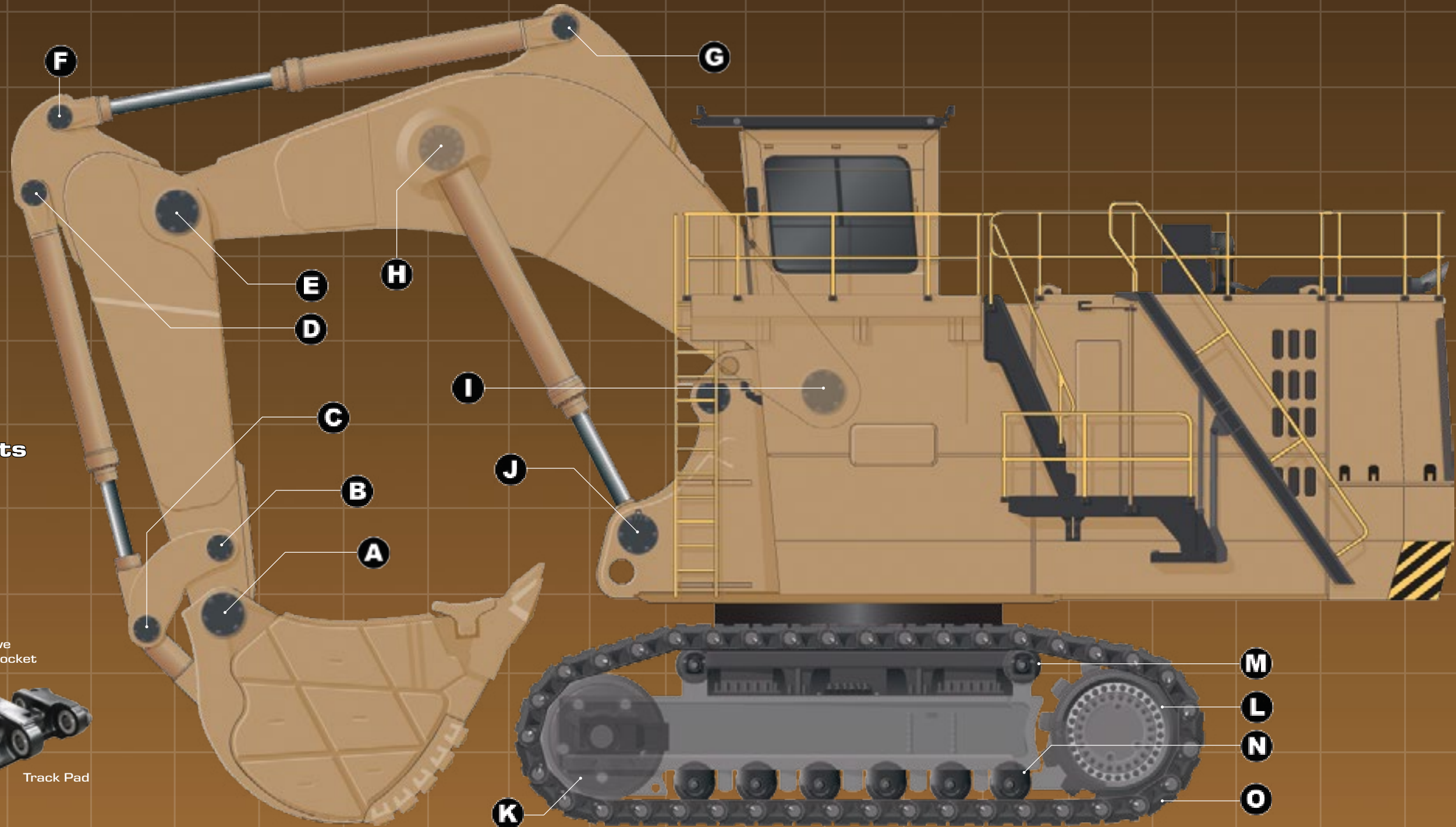


Manufactured Solutions > Delivered

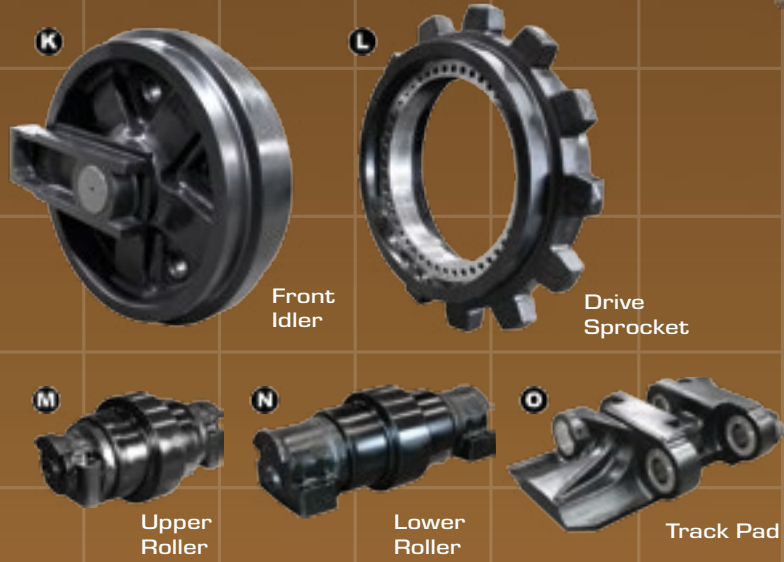


Pins & Bushings

- A Bucket & Stick
- B Link & Stick
- C Link & Backhoe Cylinder
- D Backhoe Cylinder & Stick
- E Boom & Stick
- F Stick Cylinder & Stick
- G Stick Cylinder & Boom
- H Boom Cylinder & Boom
- I Boom & Frame
- J Boom Cylinder & Frame



Undercarriage Components



- M
- L
- N
- O





Idler

- Induction hardened for additional strength
- Features Excel's proprietary bronze bushings
- Utilizes mechanical face seals

Tumbler

- Induction hardened for additional strength



Upper/Lower Rollers

- Induction hardened for additional strength
- Features Excel's proprietary bronze bushings
- Utilizes mechanical face seals
- Roller bodies are forged, one-piece components

Track Pads

- Features ASTM 128 E1 manganese steel for increased durability and precise life cycle management
- Custom alloy options are available



Induction Hardened Pins

- Outstanding Service Life
- Penetrates Deeper Than Our Competitors



Excel's Pin Configurations



Excel is *the* Bronze & Steel Bushing Expert for Hydraulic Excavators and Shovels

Casting & Machining Premium Components for the Mining Industry for Over 80 Years

Excel's unique, state-of-the-art foundry and machining facility allows us to control lead time, metallurgical specifications, customize alloys, and ensure the use of certified ingot. Even in the tightest turnaround times, Excel comes through with dependability and reliability in the field.



Excel is Committed to 24/7 Support

Wherever You Are...
Whenever You Need Us!

+1.309.347.6155
800.523.9129

1 Excel Way • P.O. Box 400
Pekin, Illinois • 61555-0400 • USA
Fax +1.309.347.1931 • Sales@ExcelFoundry.com



For emergency after-hours support
call 309.202.8300 to speak to an
Excel Professional at any time.



Scan this QR code with
your smartphone or visit
[YouTube.com/ExcelFoundry](https://www.youtube.com/ExcelFoundry)



ExcelFoundry.com

Terex® and DSK® are marks of Terex Corporation. Excel Foundry & Machine is not an authorized repair facility of nor does it have an affiliation with Terex. These terms are used for identification purposes only and are not intended to indicate affiliation with or approval by Terex of Excel. All parts are manufactured by, for and warranted by Excel Foundry & Machine and are not manufactured by, purchased from or warranted by the original equipment manufacturer.

© FLSmidth USA Inc. All Rights Reserved.