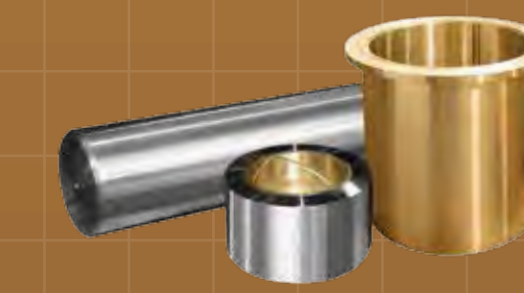
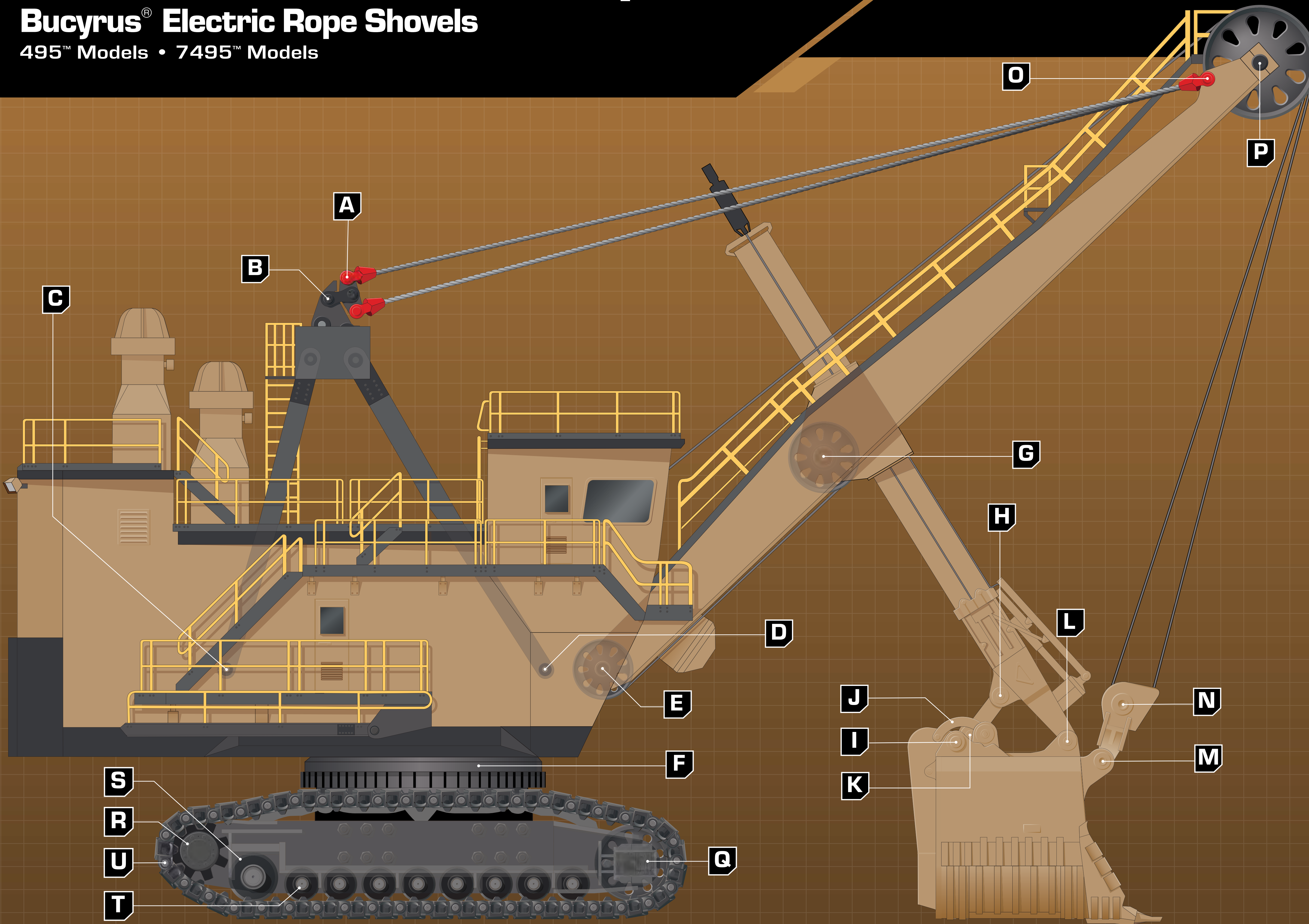


Excel Premium Components

Bucyrus® Electric Rope Shovels

495™ Models • 7495™ Models

EXCELLENCE
SINCE 1929

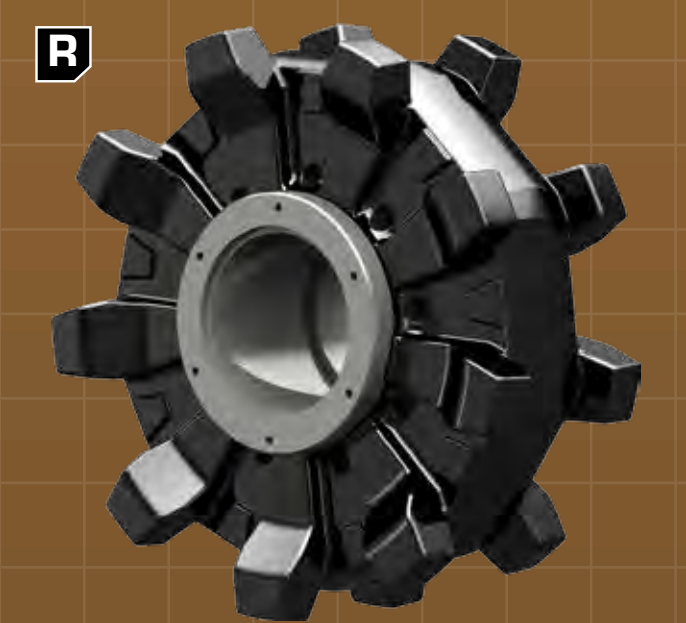


Pins & Bushings

- | | |
|--------------------------------------|------------------------------------|
| A Pendant Rope & Equalizer | I Dipper Body & Dipper Door |
| B A-Frame & Equalizer | J Dipper Snubber |
| C Lower A-Frame Rear | K Dipper & Pitch Brace |
| D Lower A-Frame Front | L Dipper & Dipper Handle |
| E Boom Foot | M Dipper & Padlock |
| F Center Pintle/Swing Shaft | N Padlock Assembly |
| G Boom & Saddle Block | O Pendant Rope & Boom |
| H Dipper Handle & Pitch Brace | P Boom & Boom Point Sheaves |



Front Idler



Drive Sprocket



Rear Idler



Lower Roller



Track Pad

+1.309.347.6155 • Toll Free 800.523.9129

sales@ExcelFoundry.com



ExcelFoundry.com

Bucyrus® is a mark of Caterpillar Inc. Excel Foundry & Machine is not an authorized repair facility of nor does it have an affiliation with Caterpillar. These terms are used for identification purposes only and are not intended to indicate affiliation with or approval by Caterpillar of Excel. All parts are manufactured by, for and warranted by Excel Foundry & Machine and are not manufactured by, purchased from or warranted by the original equipment manufacturer.

© 2015 FLSmith A/S. All rights reserved.

EXCEL
FOUNDRY
& MACHINE

Manufactured Solutions > Delivered