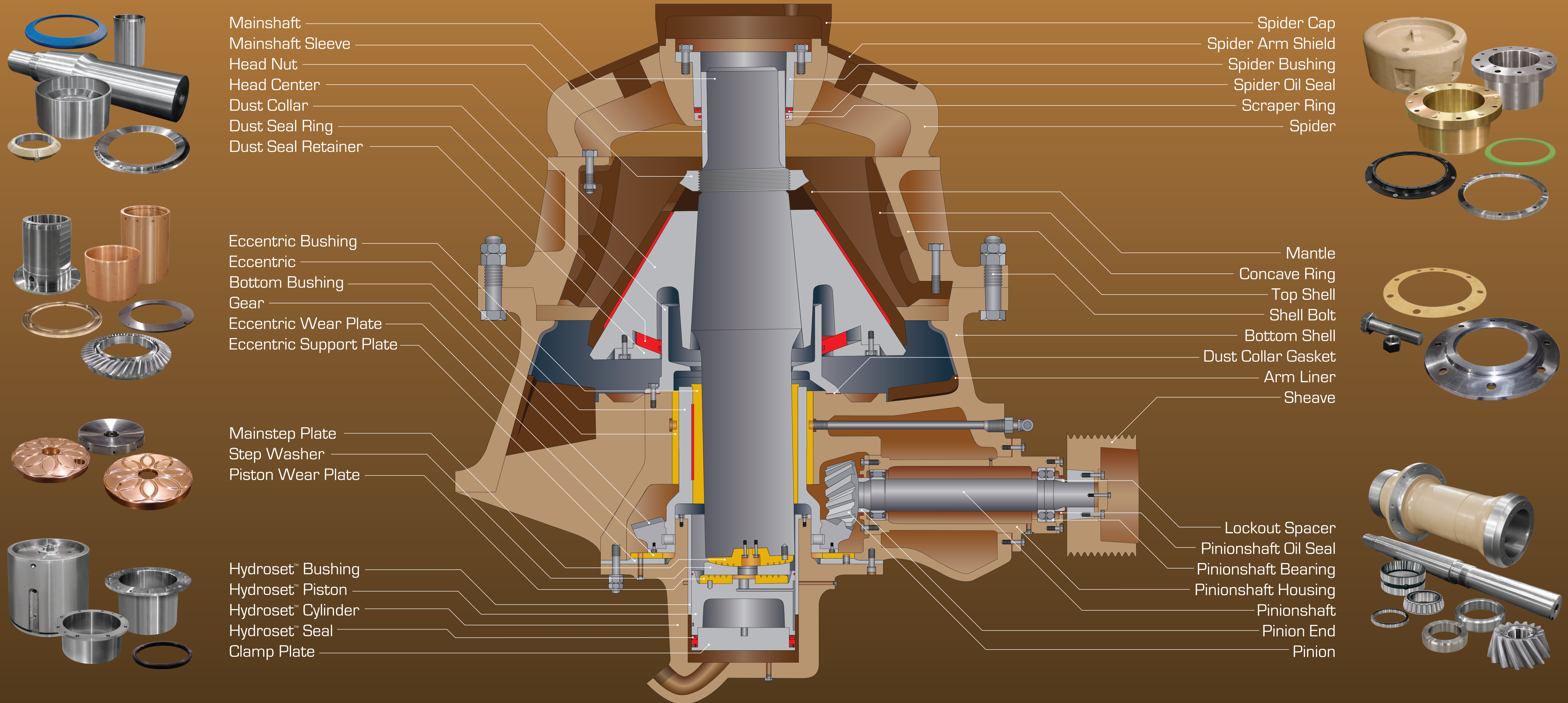


Excel Premium Components

Allis-Chalmers® & Svedala® Hydrocone® Cone Crushers

22" • 36" • 45" • 51" • 60" • 72" • 84"
500™ • 600™ • 700™

EXCELLENCE
SINCE 1929



+1.309.347.6155 • Toll Free 800.523.9129



sales@ExcelFoundry.com

ExcelFoundry.com

Allis-Chalmers® and Svedala® are marks of Metso Minerals Industries, Inc. or its affiliates. Excel Foundry & Machine is not an authorized repair facility nor does it have an affiliation with Metso. These terms are used for identification purposes only and are not intended to indicate affiliation with or approval by Metso of Excel. All parts are manufactured by, for and warranted by Excel Foundry & Machine and are not manufactured by, purchased from or warranted by the original equipment manufacturer.

© 2016 FLSmith A/S. All rights reserved.



Manufactured Solutions > Delivered