

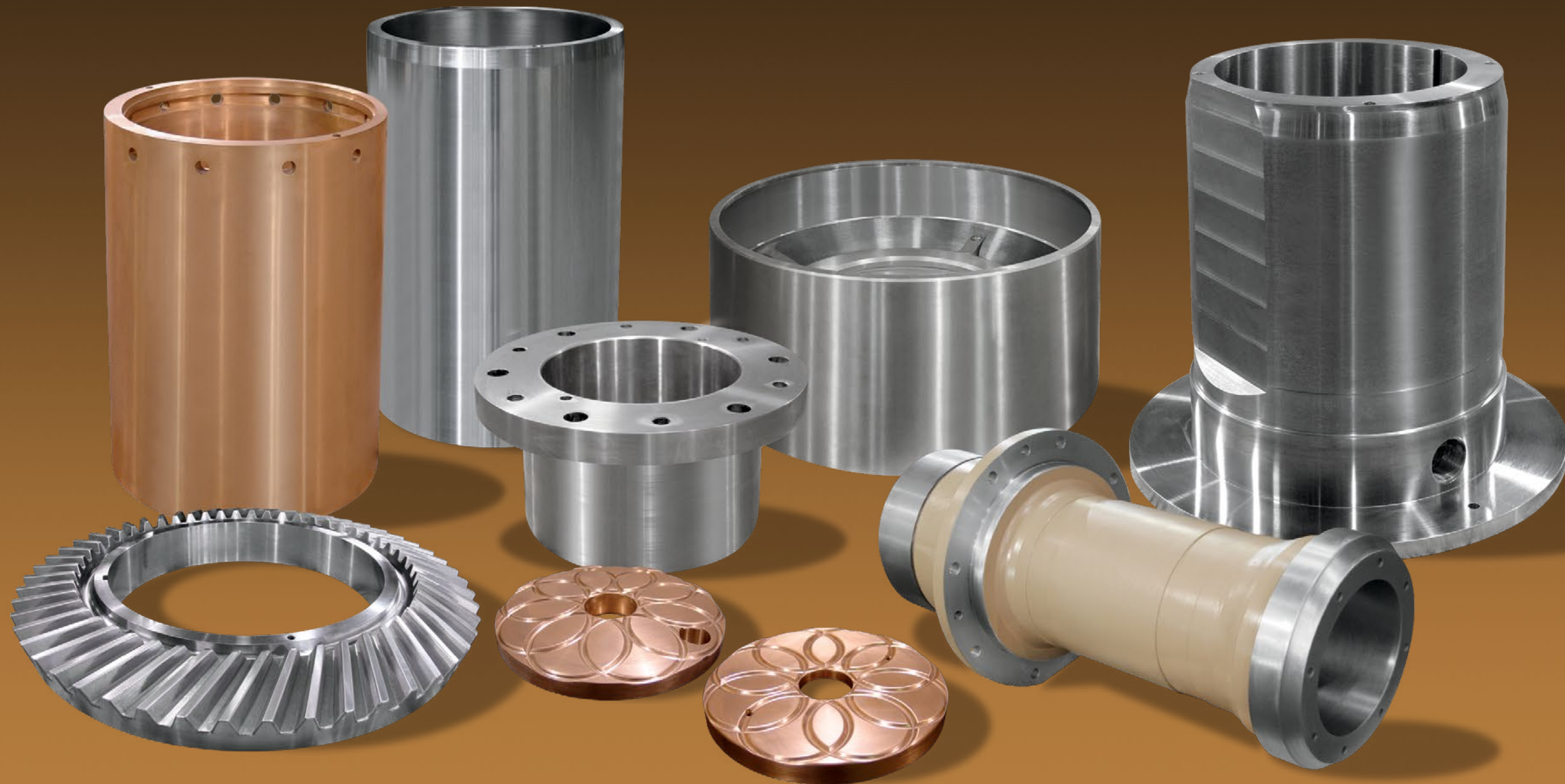
# Excel Premium Components

EXCELLENCE  
SINCE 1929

Allis-Chalmers® & Svedala® Hydrocone® Cone Crushers

22" | 36" | 45" | 51" | 60" | 72" | 84"

500™ | 600™ | 700™



EXCEL  
FOUNDRY  
& MACHINE

# Excel Premium Components

Allis-Chalmers® & Svedala® Hydrocone® Cone Crushers

22" | 36" | 45" | 51" | 60" | 72" | 84"

500™ | 600™ | 700™

## Mainshaft Assembly

Mainshaft  
Mainshaft Sleeve  
Head Nut  
Head Center  
Dust Collar  
Dust Seal Ring  
Dust Seal Retainer

## Eccentric Assembly

Eccentric Bushing  
Eccentric  
Bottom Bushing  
Gear  
Eccentric Wear Plate  
Eccentric Support Plate

## Step Plate Assembly

Mainstep Plate  
Step Washer  
Piston Wear Plate

## Hydroset™ Assembly

Hydroset™ Bushing  
Hydroset™ Piston  
Hydroset™ Cylinder  
Hydroset™ Seal  
Clamp Plate

## Spider Assembly

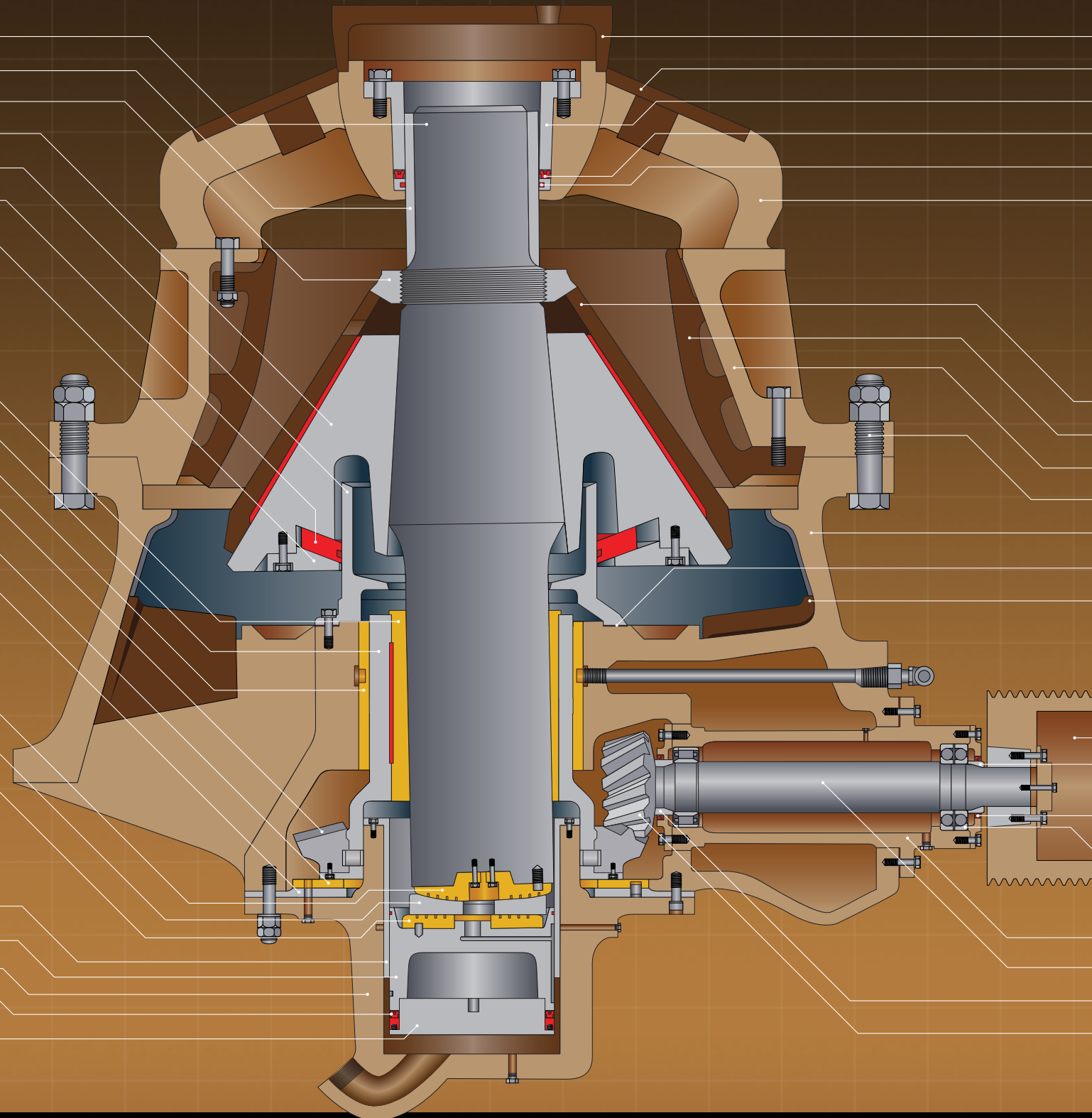
Spider Cap  
Spider Arm Shield  
Spider Bushing  
Spider Oil Seal  
Scraper Ring  
Spider

## Shell/Hardware

Mantle  
Concave Ring  
Top Shell  
Shell Bolt  
Bottom Shell  
Dust Collar Gasket  
Arm Liner

## Pinionshaft Assembly

Sheave  
Lockout Spacer  
Pinionshaft Oil Seal  
Pinionshaft Bearing  
Pinionshaft Housing  
Pinionshaft  
Pinion End  
Pinion









# Dedicated to Outstanding Customer Support

+1.309.347.6155  
Toll Free 800.523.9129  
sales@ExcelFoundry.com

1 Excel Way | Pekin, Illinois | USA  
**ExcelFoundry.com**



For emergency after-hours support, call 309.202.8300 to speak to an Excel Professional at any time.



Allis-Chalmers-Svedala® is a mark of Metso Minerals Industries, Inc. or its affiliates. Excel Foundry & Machine is not an authorized repair facility nor does it have an affiliation with Metso. These terms are used for identification purposes only and are not intended to indicate affiliation with or approval by Metso of Excel. All parts are manufactured by, for and warranted by Excel Foundry & Machine and are not manufactured by, purchased from or warranted by the original equipment manufacturer.  
©Copyright 2016 FLSmidth A/S. All Rights Reserved.