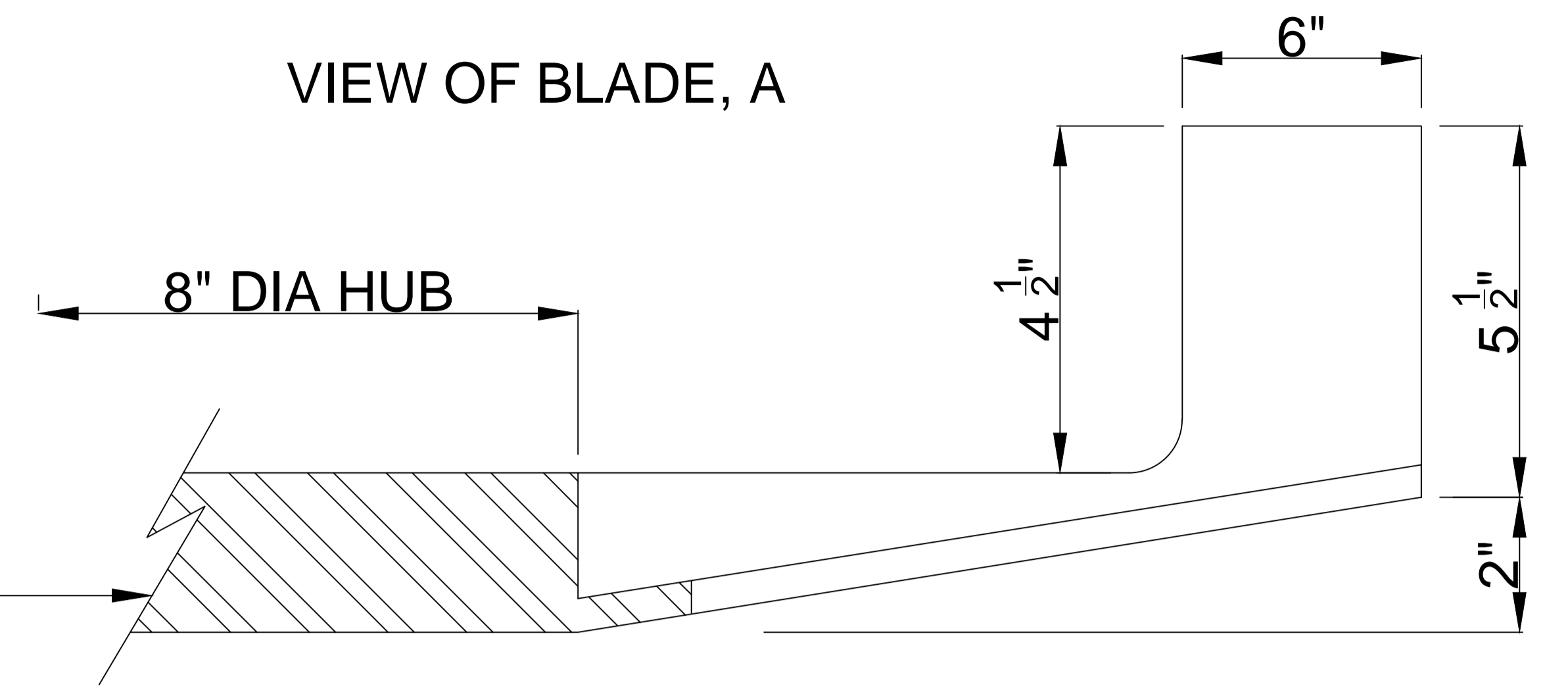


VIEW OF BLADE, A



HUB DETAIL NOT SHOWN

3 1/2" ID

1 1/4" ID

16 1/2" RAD

3/4" Ø HOLES ON
6 1/4" B.C DIA

Itemref	Quantity	Title/Name, designation, material, dimension etc			Article No./Reference	
Designed by ANGUS MORRIS	Checked by XXX	Approved by - date XXX - 00/00/00	Filename M-0041A	Date 23/01/2013	Scale N/A	
DR-300 IMP 9 VAIN FIN.				IRATHANE/ELLIOTT SYSTEMS		
				X	Edition 1	Sheet N/A